



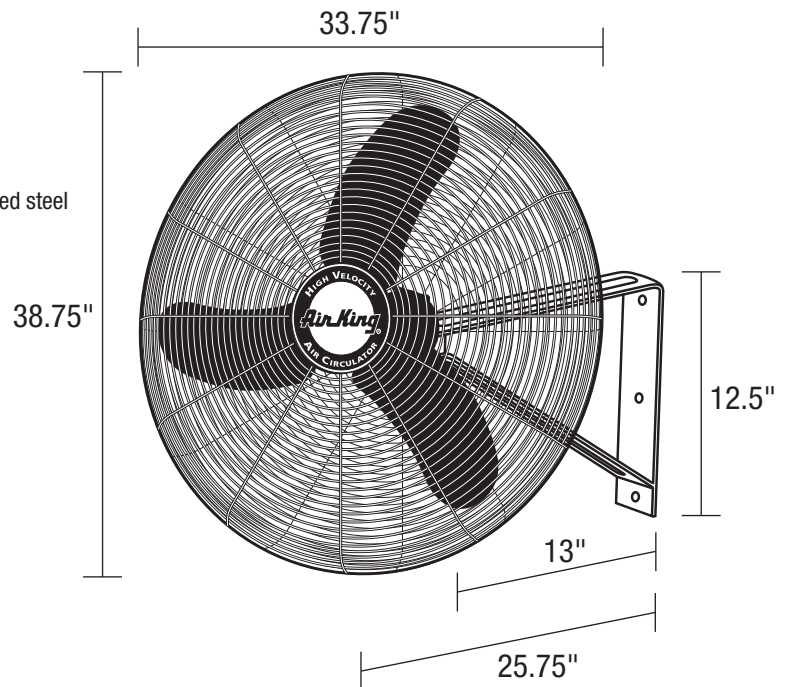
SPECIFICATIONS

9075

INDUSTRIAL FANS

**30" Oscillating
Wall Mount Fan**

- **Motor**
3-speed, 1/3 HP, 120V, 1 phase, totally enclosed, ball bearing, permanently lubricated, permanent split capacitor
- **Controls**
Rear mounted pull cord switch
- **Power Cord**
Black, 10', 3-conductor, S type
- **Coating**
Blade, Guard, and Mounts are powder coated steel
- **Compliance**
ETL, OSHA
- **Oscillation**
90°
- **Product Dimensions**
33.75"L x 25.75"W x 38.75"H
- **Shipping Information**
UPC: 0-46013-38920-6
Shipping Weight: 46.6 lbs.



MODEL	CFM			RPM			AMPS			WATTS			DB A		
	HIGH	MED	LOW	HIGH	MED	LOW	HIGH	MED	LOW	HIGH	MED	LOW	HIGH	MED	LOW
9075	8780	7480	5570	1075	925	800	2.8	2.0	1.7	308	205	170	72	70	64



U.S.: 820 Lincoln Drive
West Chester, Pennsylvania 19380-4466
Tel: (610) 692-7400 • 877-304-3785
Fax: (610) 696-8048